

Taylor Wings, Inc. Aluminum Flat Beds

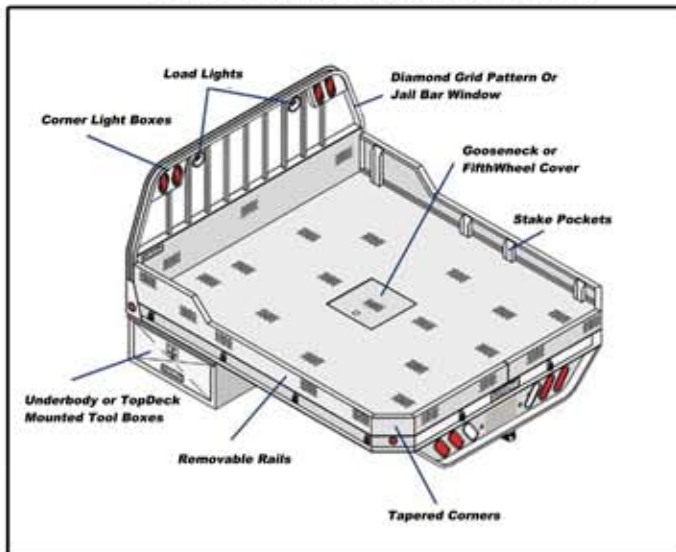
Extruded Tongue and Groove Flat Beds:

Starting at:

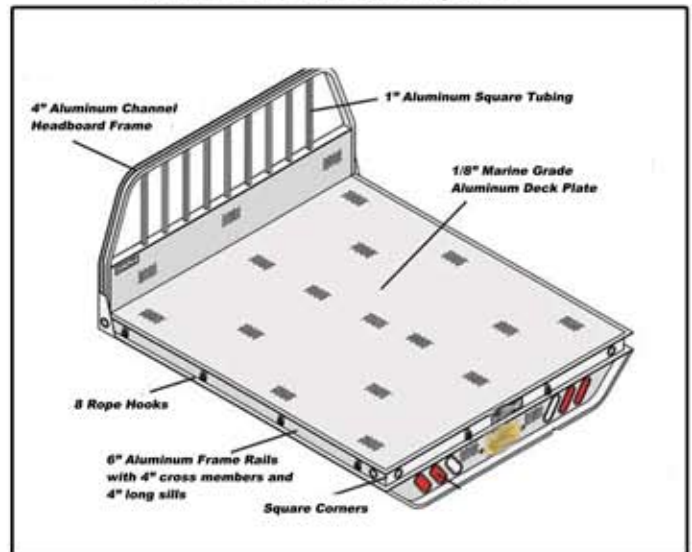
Call Your Sales Rep!!

Volume Discounts on 4 or More

TW Flatbed Upgradeable Options



TW Flatbed Standard Options



1/8" Diamond Plate Top Flat Beds

Starting at:

**Custom Bed Designs Available in
2-4 Week Turn Aounds.**