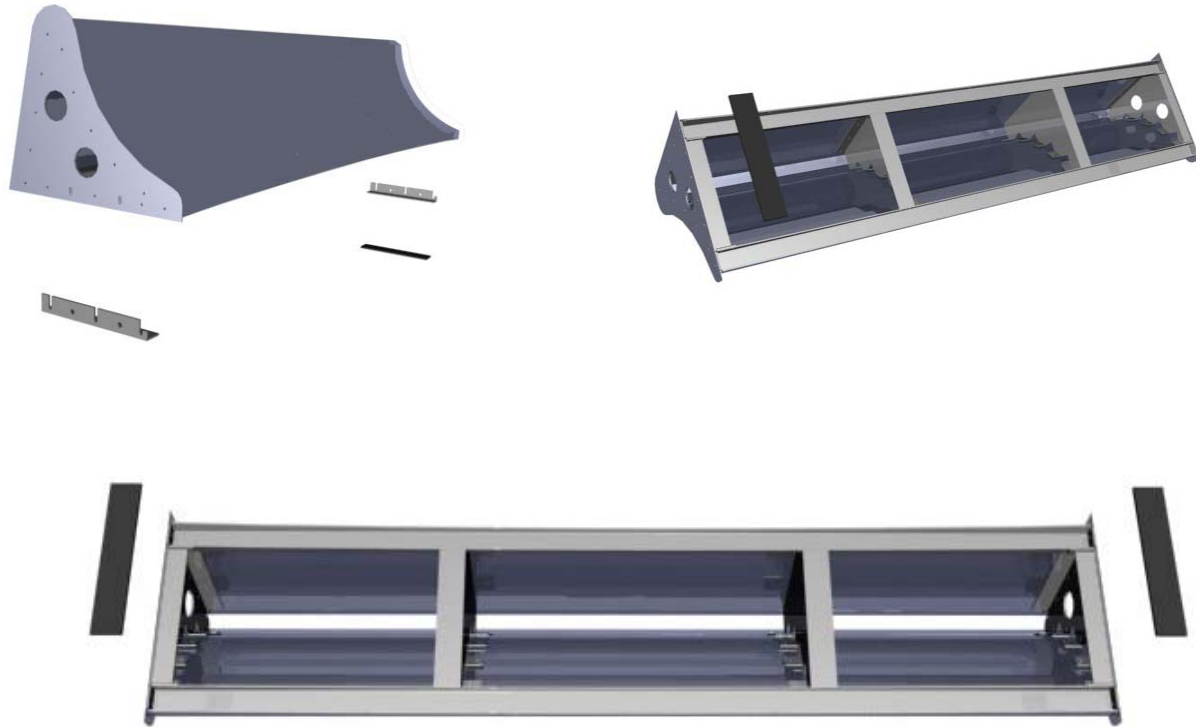


TT-72 AEROCAB KENWORTHS

21



Step 1: Attach mounting rails to Taylor Tail.

Step 2: Measure center to center distances of rail holes and transfer those measurement to top of sleeper.

Step 3: Mark top of sleeper at the furthest point back as possible. Be sure not to extend past radiused curve of sleeper.

Step 4: Remove headliner from inside. (refer to mount instruction #1 for details.)

Step 5: Attach rails and rubber straps to sleeper using 3/8" x 2" bolts. Must be nylocks. Be sure to push bolt from inside of cab upward.

Step 6: Place TT-72 over the previously installed rails and secure the two by fastening 5/16" x 1" bolts through sideboards into the attached rails.